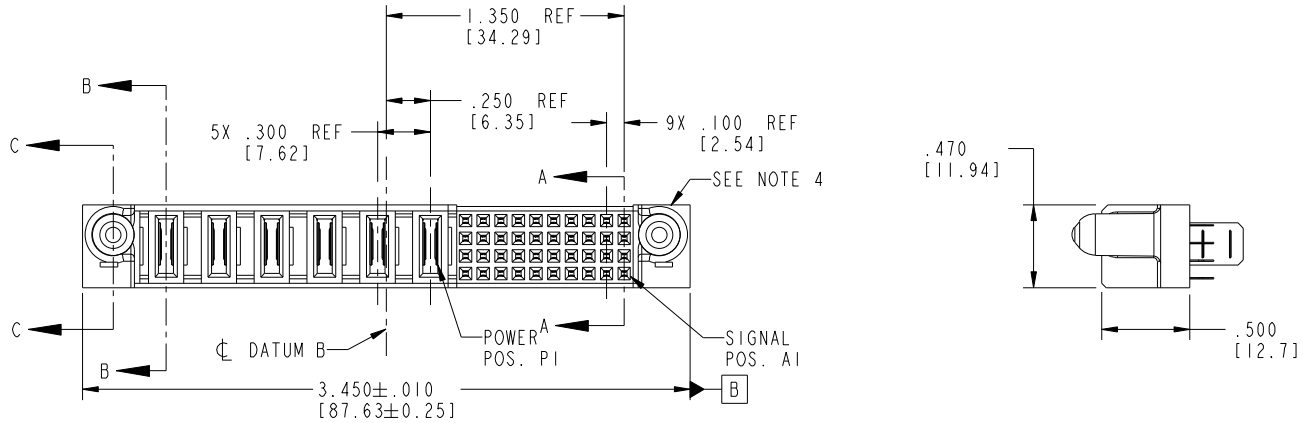
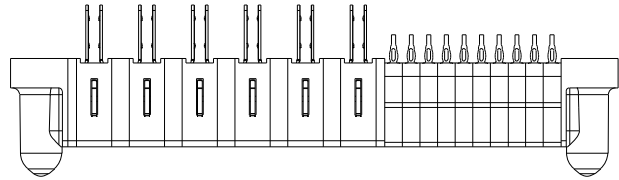


Tous droits strictement reserves. Reproduction ou communication a des tiers interdite sous quelque forme que ce soit sans autorisation écrite du propriétaire. Propriete de c FCI. Droits de reproduction FCI.



All rights strictly reserved. Reproduction or issue to third parties in any form whatever is not permitted without written authority from the proprietor. Property of FCI. Copyright FCI.

PRODUCT NO.	ROWS	POWER						SIGNAL											
		E2	P6	P5	P4	P3	P2	P1	10	9	8	7	6	5	4	3	2	1	E1
51940-042 Note: ③	D C B A		PK	PK	PK	PK	PM	PM	F	F	F	F	F	F	F	F	F	F	



CODE	DIM "M" MATING LENGTH	CONTACT TYPE
F	N/A [N/A]	SIGNAL
PK	.092 [2.34]	POWER
PM	.042 [1.07]	POWER

mat'l code				SEE NOTE 2		tolerances unless otherwise specified		CUSTOMER		 www.fciconnect.com	
ltr	ecn no.	dr	date	linear	.XX±.01/0.X±0.3	projection	COPY				
A	V03-0481	MEM	4/29/03	linear	.XXX±.005/0.XX±0.13		title 40S + 6ACP VERT P-F RCPT. FOR BUS-BAR ATTACH				
B	V03-0594	TAB	5/23/03	angles	.XXX±.0020/0.XXX±0.051		product family		PwrBlade	code 213	
C	DG05-0166	SJ	06/16/05	angles	0°±2°	INCH	size	dwg no	sheet 1 of 4		
D	DG06-0395	LJCN	09/22/06	dr	M. MOSTOLLER 4/29/03	scale	A		51940-042		
				enrg	M. MOSTOLLER 4/29/03	1:1					
				chr	H. BREWBAKER 4/29/03						
				appd	M. MOSTOLLER 4/29/03						
sheet index	revision sheet	D	D	D	D						
		1	2	3	4						

cage code 22526

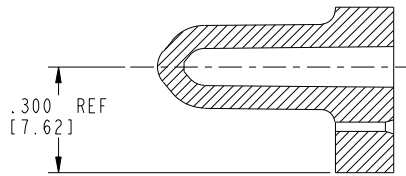
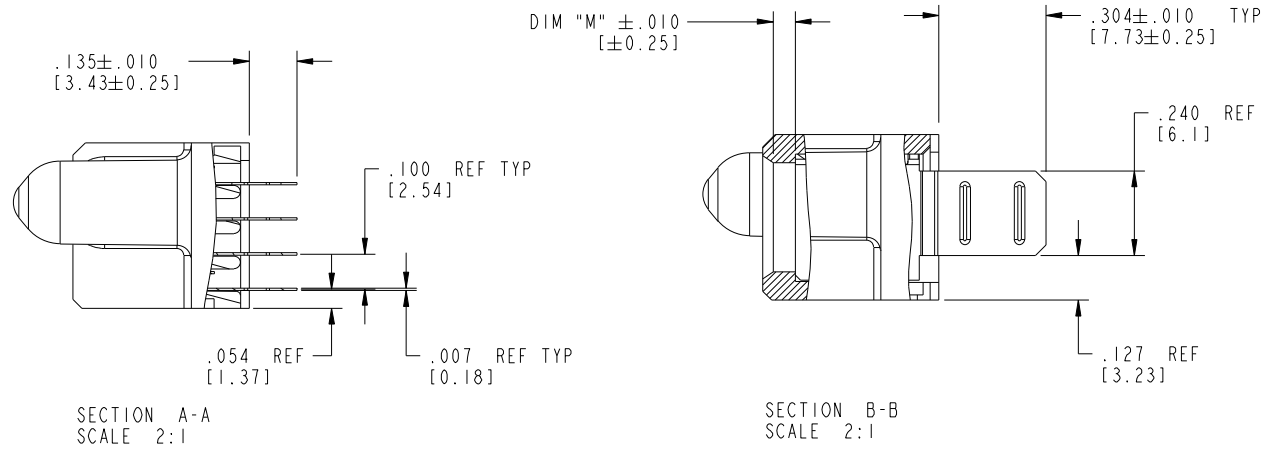
Pro/E

Tous droits strictement réservés. Reproduction ou communication à des tiers interdite sous quelque forme que ce soit sans autorisation écrite du propriétaire. Propriété de c.FCI. Droits de reproduction FCI.



All rights strictly reserved. Reproduction or issue to third parties in any form whatever is not permitted without written authority from the proprietor. Property of FCI. Copyright FCI.

PRODUCT NUMBER
51940-042--
Note: ③



mat'l code				SEE NOTE 2		tolerances unless otherwise specified		CUSTOMER		 www.fciconnect.com	
ltr	ecn no.	dr	date	linear	.XX±.01/0.X±0.3		COPY		title 40S + 6ACP VERT P-F RCPT. FOR BUS-BAR ATTACH		
D					.XXX±.005/0.XX±0.13		projection				
					angles	.XXX±.0020/0.XXX±0.051		 INCH/MM		size dwg no 213 sheet 2 of 4	
				dr	M. MOSTOLLER	4/29/03	scale 1:1		A 51940-042		
				enrg	M. MOSTOLLER	4/29/03					
				chr	H. BREWBAKER	4/29/03					
				appd	M. MOSTOLLER	4/29/03					
sheet index	revision sheet										

Pro/E

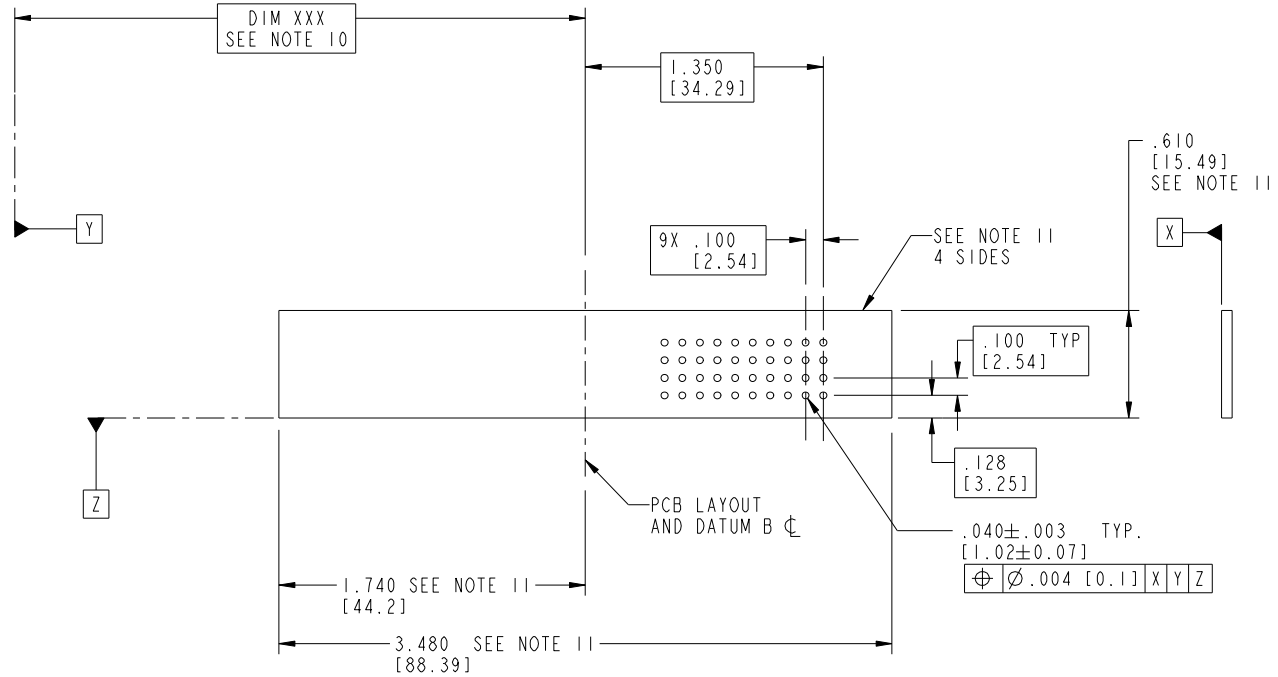
cage code 22526

Tous droits strictement réservés. Reproduction ou communication à des tiers interdite sous quelque forme que ce soit sans autorisation écrite du propriétaire. Propriété de c.FCI. Droits de reproduction FCI.



All rights strictly reserved. Reproduction or issue to third parties in any form whatever is not permitted without written authority from the proprietor. Property of FCI. Copyright FCI.

PRODUCT NUMBER
51940-042--
Note: ③



mat'l code		SEE NOTE 2		tolerances unless otherwise specified		CUSTOMER		FCI	
ltr	ecn no.	dr	date	linear	.XX±.01/0.X±0.3	COPY		www.fciconnect.com	
D					.XXX±.005/0.XX±0.13	projection		title 40S + 6ACP VERT P-F	
				angles	.XXX±.0020/0.XXX±0.051			RCPT. FOR BUS-BAR ATTACH	
				dr	0°±2°	INCH/MM		product family PwrBlade	
				engr	M. MOSTOLLER 4/29/03	scale		code 213	
				chr	M. MOSTOLLER 4/29/03	1:1		size dwg no	
				appd	H. BREWBAKER 4/29/03			A 51940-042	
					M. MOSTOLLER 4/29/03			sheet 3 of 4	
sheet index	revision sheet								

cage code 22526

Pro/E

Tous droits strictement reserves. Reproduction ou communication a des tiers interdite sous quelque forme que ce soit sans autorisation écrite du propriétaire. Propriete de c FCI. Droits de reproduction FCI.



All rights strictly reserved. Reproduction or issue to third parties in any form whatever is not permitted without written authority from the proprietor. Property of FCI. Copyright FCI.

PRODUCT NUMBER
51940-042--
Note: ③

NOTES:

1. DIMENSIONS AND TOLERANCES ARE IN ACCORDANCE WITH ASME Y14.5M, 1994 UNLESS OTHERWISE SPECIFIED.

CONNECTOR NOTES:

- ② HOUSING MATERIAL: UL 94 V-0 GLASS FILLED
HIGH-TEMP THERMOPLASTIC
POWER CONTACT MATERIAL: COPPER ALLOY
SIGNAL PIN MATERIAL: COPPER ALLOY
- ③ 51940-042;51940-042LF;51940-042GLF PLATING SPEC. SEE PRINT:10064183
- ④ MANUFACTURER'S NAME, P/N, AND DATE CODE TO APPEAR ON THIS SURFACE.
- 5. PRODUCT SPECIFICATION GS-12-149.
APPLICATION SPECIFICATION BUS-20-067.
- 6. PACKAGED IN TRAYS.

PCB NOTES:

- 7. ALL HOLE DIAMETERS ARE FINISHED HOLE SIZE.
- ⑧ MOUNTING HOLES, WHERE APPLICABLE, ARE UNPLATED.
- ⑨ $\varnothing .0453 \pm .0010$ [1.151 \pm 0.025] DRILLED HOLES PLATED WITH .0003 [0.008] MIN SnPb OR Sn OVER .001 [0.03] TO .003 [0.08] Cu PLATING TO ACHIEVE $\varnothing .040 \pm .003$ [1.02 \pm .07] HOLE.
- ⑩ "DIM XXX" TO BE DETERMINED BY THE CUSTOMER.
- ⑪ CONNECTOR KEEP-OUT ZONE.
- 12. POWER CONTACTS ARE DESIGNED TO MATE WITH A .0625" [1.59MM] THICK BUS-BAR. ONCE MATED CONTACT CLIP MUST BE INSTALLED.

mat'l code		SEE NOTE 2		tolerances unless otherwise specified		CUSTOMER		FCI		www.fciconnect.com		
ltr	ecn no.	dr	date	linear	.XX±.01/0.X±0.3	COPY		projection				
D					.XXX±.005/0.XX±0.13			title 40S + 6ACP VERT P-F RCPT. FOR BUS-BAR ATTACH				
				angles	.XXX±.0020/0.XXX±0.051							
				dr	0°±2°	INCH/MM		product family		PwrBlade	code	
				enrg	M. MOSTOLLER 4/29/03	scale		size	dwg no		213	
				chr	M. MOSTOLLER 4/29/03			1:1	A	51940-042		sheet
				appd	H. BREWBAKER 4/29/03					4 of 4		
sheet index	revision sheet											

cage code 22526

Pro/E